

Standard Strahman Hose Reel

Strahman's Spring Rewind Hose Reels, in carbon steel or stainless steel, make winding and rewinding our heavy-duty water hose quick and efficient, and provide tidy hose storage |and protection. Our reels are equipped with a heavy-duty internal spring motor for effortless winding and rewinding. A sturdy ratchet assembly locks the reel when the desired length of hose has been pulled out; a gentle tug on the hose will unlock the reel and trigger the spring motor to retract the hose. The "R-X" and "RS-X" hose assemblies include a ball stop to prevent damage to the hose reel rollers and are available with our water saver nozzle, sold separately.

These convenient and sturdy hose reels can be installed on the floor, wall or ceiling, and come equipped either with or without our standard Strahman Hose Assembly "R-X" or "RS-X." Strahman hose assemblies include 5/8" I.D. heavy-duty water hose in black, red or white with our water-saver spray nozzles sold separately (also available in extruded black, white and yellow hose). Ceiling mount might require a special heavy-duty spring.



Shown: Standard Carbon Steel Hose Reel
Available: Stainless Steel Hose Reel

Specifications

- ◆ Standard holds up to 50 ft. of "R-X" or "RS-X" Bronze or Stainless Steel fittings (5/8" I.D.) hose
- ◆ Unit also available to hold up to 100 ft. of "R-X" or "RS-X" Bronze or Stainless Steel fittings (5/8" I.D.) hose

These reels are available for use with the following Strahman units:

M-156N, M-159/M-159TG, M-358, M-750/M-750TG
M-756, M-5000TG/M-5700TG, M-144TG, M-5000TS

Please see reverse side for dimensions.



USA Headquarters

2801 Baglyos Circle ♦ Bethlehem, PA 18020

Phone: (484) 893-5080 ♦ Fax: (484) 893-5099 ♦ Toll Free: (877) STRAHMAN

www.strahmanvalves.com

France

Savoie Hexapole, F-73420 Mery, France

Tel: 33 (0) 4 79 35 78 00

Fax: 33 (0) 4 79 35 78 20

Germany

Kirchstrasse 16, D-77855, Achern, Germany

Tel: 49 (0) 7841-6846530

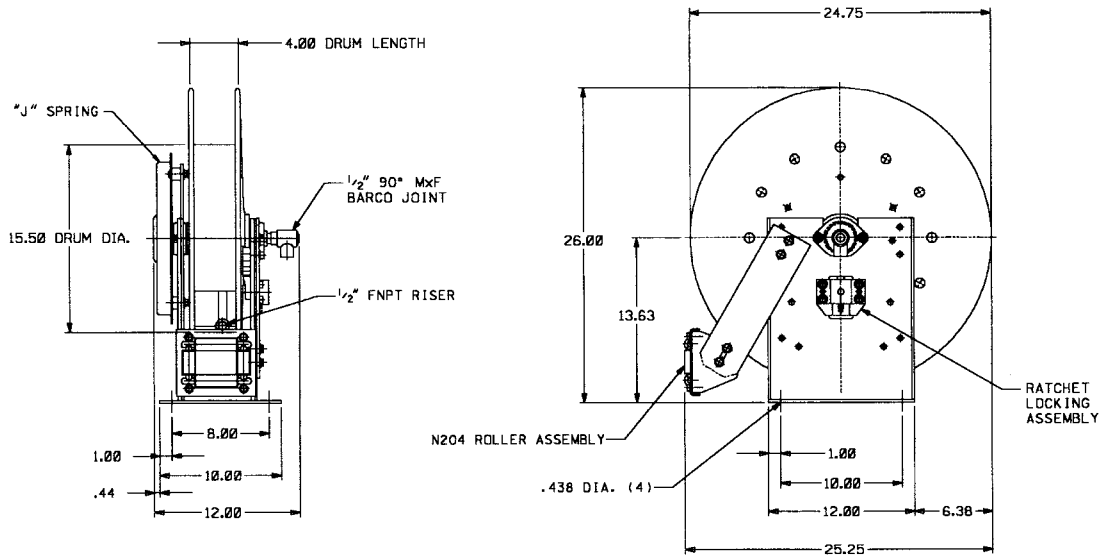
Fax: 49 (0) 7841-6846531



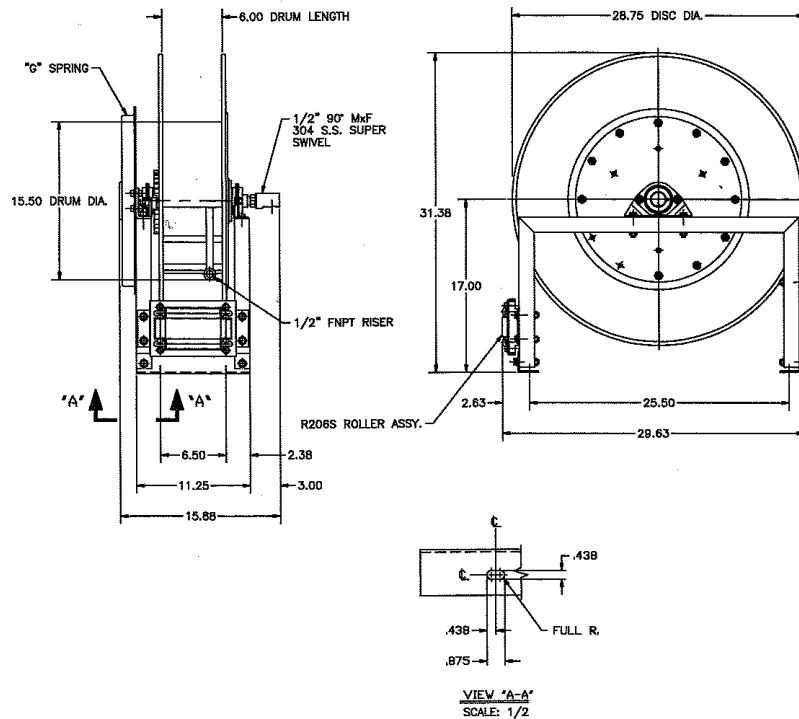
ISO 9001
QMI-SAI Global

Last Updated: July, 2012

Spring Rewind Hose Reel Dimensions



Hose reel to be used with our 5/8" I.D. hose assembly "R-X" and "RS-X" only, maximum length 50 ft.



Shown above, larger hose reel to be used with our 5/8" I.D. hose assembly "R-X" and "RS-X" only, maximum length 100 ft.