

# M-120 SINGLE VALVE HOSE STATION

for Hot or Cold Water use

**Single valve hose station for hot or cold water provides compact and easy to use system for wash down.**

The Strahman M-120 Wall-Mounted Hose Station is made of stainless steel. This strong and compact hose station includes a hose rack, mounting hardware and On/Off valve. The hose station comes with (2) ½" stainless steel wall mounting bolts and zinc plated steel anchors for strength and durability.

## Specifications

- Maximum operating temperature: 200°F/93°C
- Ball valve and bracket are rated at a maximum working pressure: 1,000 psi
- With Strahman hose assembly and nozzle, maximum working pressure: 150 psi
- ¾" full port 316 stainless steel ball valve, PTFE packing
- Stainless steel hose rack for 50 feet of hose
- ½" stainless steel wall mounting bolts
- Stainless steel ¼ turn On/Off valve for ease of operation
- Zinc-plated steel anchors

NOTE: Intended for cold or hot water use only.

Please see reverse side for parts listing.

Maximum water temperature: 200°F (93°C)

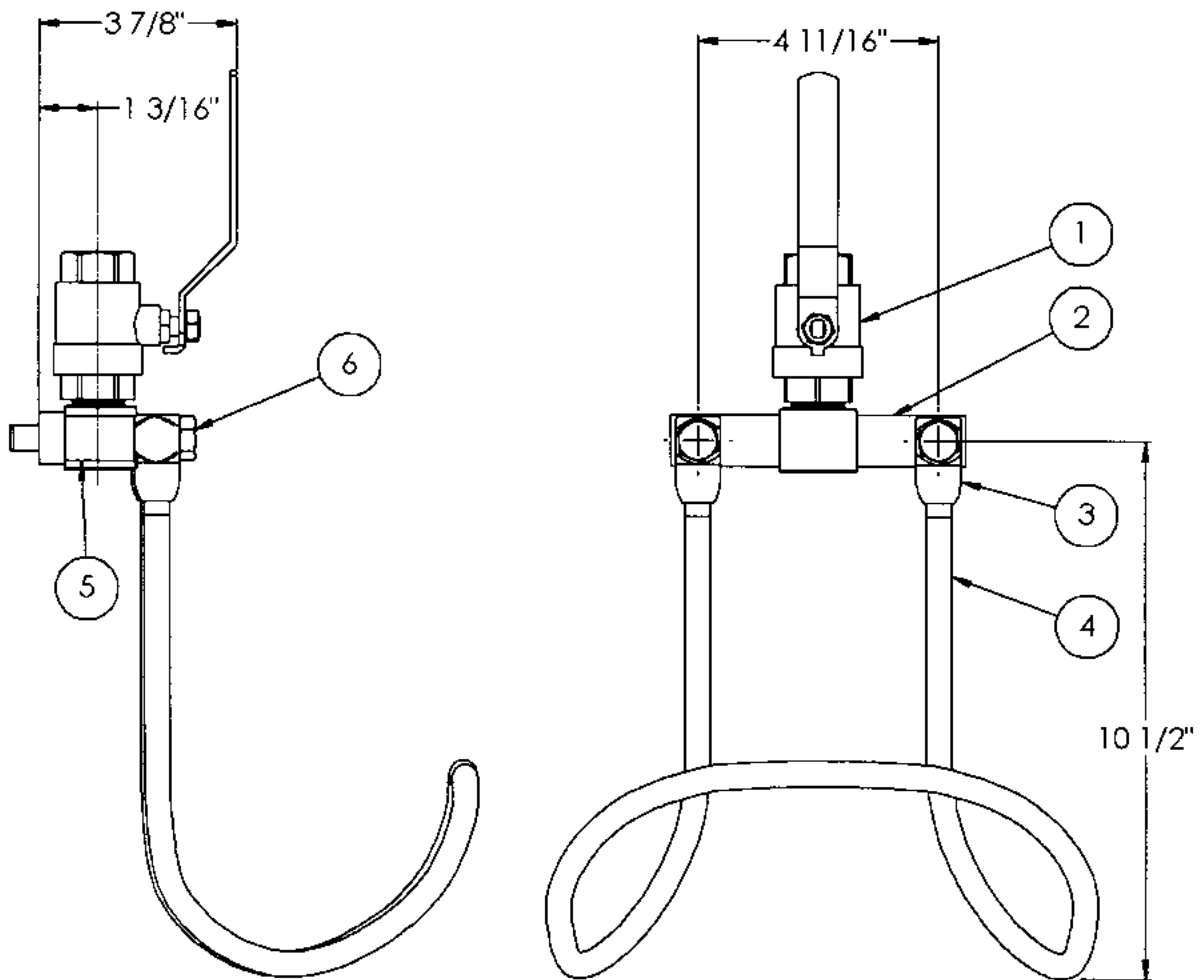
Optimum working pressure range: (not to exceed 150 psi)



M-120 Wall-Mounted Hose Station shown with premium hose assembly and S-70 Series nozzle.

Spray nozzle and hose sold separately.

# M-120 SINGLE VALVE HOSE STATION



PARTS							
ITEM	PART	ORDER NO.	MATERIAL	ITEM	PART	ORDER NO.	MATERIAL
1	BALL VALVE	BV0075BBBLUE	SST316	3, 4, 6	HOSE RACK WITH FITTINGS* (Includes Hose rack, lock washers, hose rack connector, and u-bolt)	HRCOMLETE0002	SST302
2	MOUNTING PLATE	M120PLATEA	SST304	5	HEX SPACER	M120HEX	SST303

© 1921-2023 Strahman Group \ Published 08.3.23

[StrahmanGroup.com](http://StrahmanGroup.com)



**STRAHMAN  
GROUP**

PRECISION AND PERFORMANCE

**WORLD HEADQUARTERS**  
 2801 Baglyos Circle, Bethlehem, PA 18020  
 p: +1 877 787 2462 | +1 484 893 5080  
 e: [strahman@strahman.com](mailto:strahman@strahman.com)