



FLP-LT SERIES 1/2" THROUGH 1" 150# FLANGED



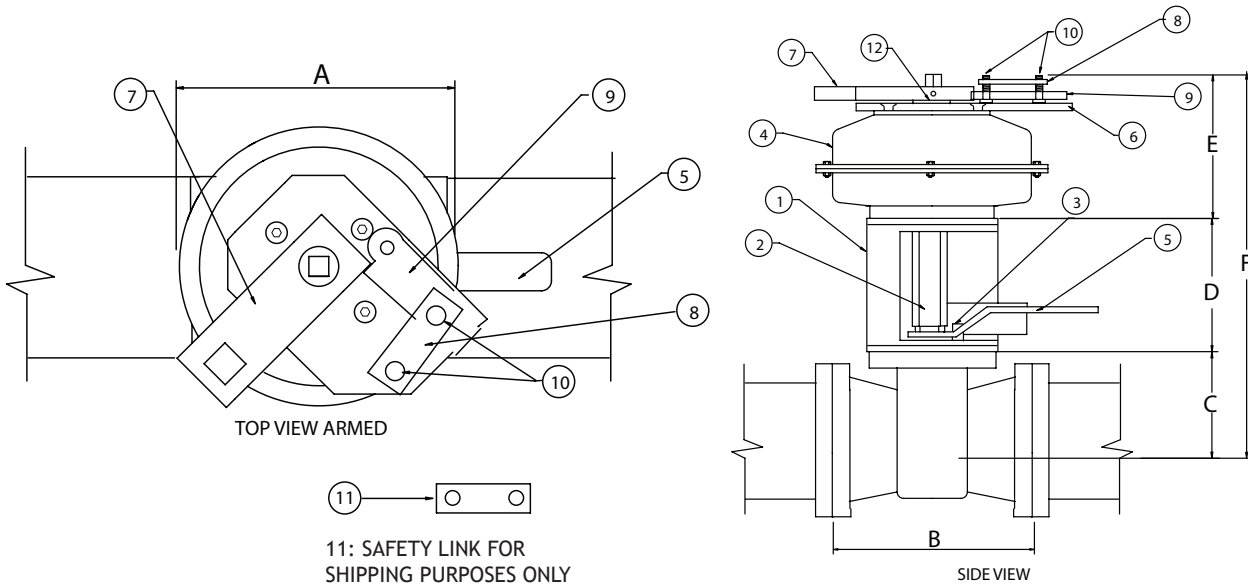
FLP-LT series fusible link shown with FM approved actuator

PART NUMBERS	
FLP-LT-059-***-XXX-BV-ED50	includes 316SS flanged API 607 fire safe valve
FLP-LT-059-***-XXX-BV-W50	includes WCB/SS API 607 fire safe valve

***: Select a link temperature from the chart below.
XXX: valve size (i.e., 005=1/2", 007=3/4", 010=1")

LINK PART NUMBER	LINK YIELD TEMPERATURE	MAXIMUM AMBIENT TEMPERATURE
FL-1-165	165° F/74° C	135° F/57° C
FL-1-212	212° F/100° C	185° F/82° C
FL-1-286	286° F/138° C	253° F/123° C
FL-1-360	360° F/182° C	330° F/166° C

NOTE: Links should be replaced on an annual basis as part of a regular maintenance program. Links are not rated for use in corrosive atmospheres.



DIMENSIONS

SIZE	1/2"	3/4"	1"
A	4.25	4.25	4.25
B	4.25	4.62	5.00
C	1.51	1.63	1.96
D	3.00	3.00	3.00
E	2.50	2.50	2.50
F	7.01	7.13	7.46
WEIGHT (LBS.)	11.00	13.00	15.00

BILL OF MATERIALS

1	SPRING PACK MOUNTING BRACKET	CARBON STEEL	7	ARMING LEVER	STAINLESS STEEL
2	COUPLER/TRIPPER ARM	CARBON STEEL	8	FUSIBLE LINK	SOLDERED METAL
3	VALVE OPEN/CLOSE STOP	STAINLESS STEEL	9	FUSIBLE LINK RETAINING ARM	STAINLESS STEEL
4	SPRING PACK	EPOXY COATED STEEL	10	LINK RETAINING STUDS	STAINLESS STEEL
5	VALVE HANDLE	PLATED STEEL	11	SAFETY LINK	CARBON STEEL
6	FL MOUNTING PLATE	STAINLESS STEEL	12	SPACER	NYLON

The policy of BI-TORQ Valve Automation is one of continuous improvement. We reserve the right to alter the product as described and illustrated without notice.