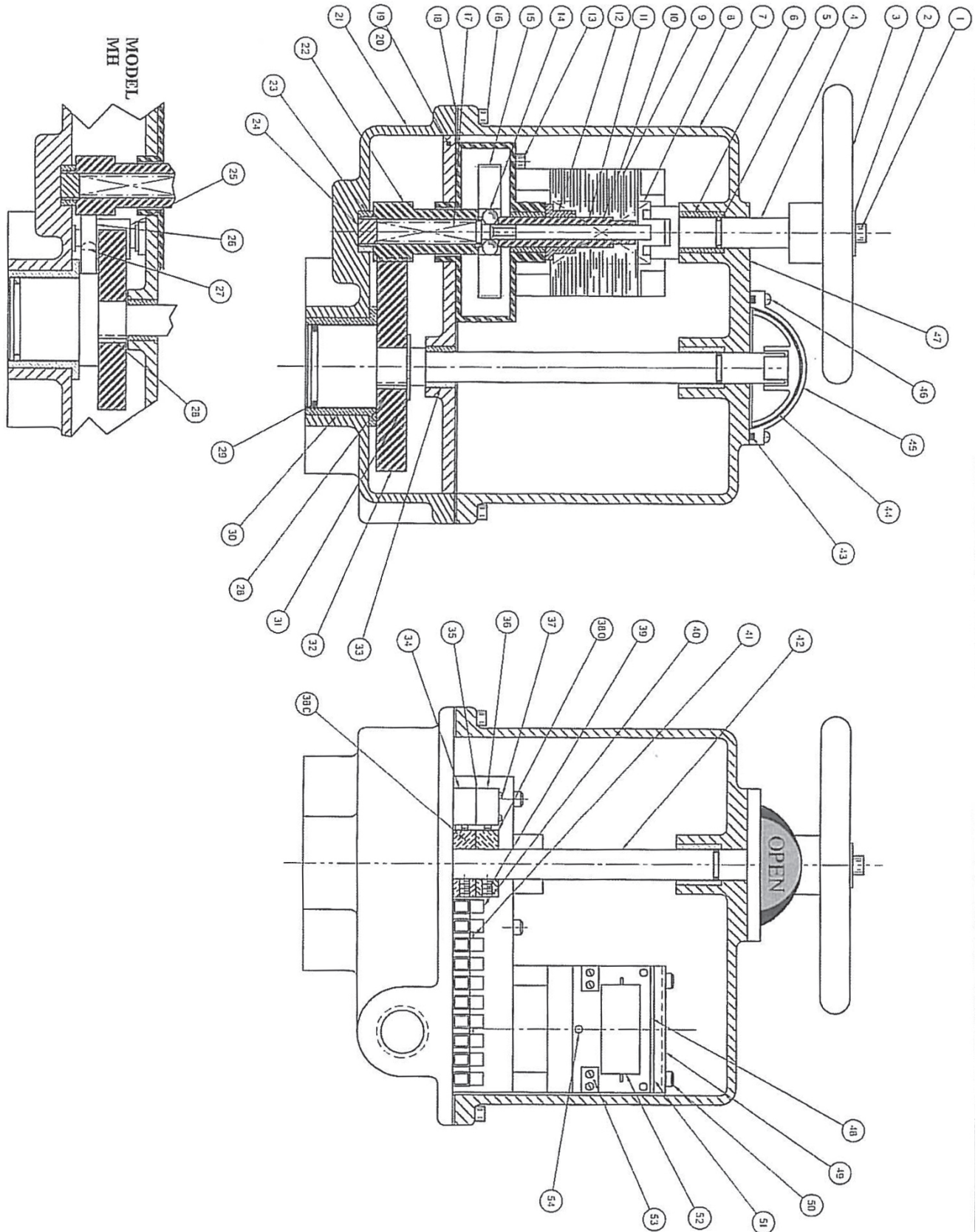


### BI-400/675/1000/1500 EXPLODED VIEW



### BI-400/675/1000/1500 EXPLODED VIEW

ITEM NO.	DESCRIPTION	MODEL>>>	PART NUMBERS			
		MAT./QTY.	BI-1500	BI-1000	BI-675	BI-400
1	CAP SCREW	SS/1	47022	47022	47022	47022
2	WASHER	STL/1	52000	52000	52000	52000
3	HAND WHEEL	AL/1	41002	41002	41002	41002
4	SHAFT	SS/1	5009N4/7	5009N4/7	5009N4/7	5009N4/7
5	O-RING	BUNA-N/1	10000	10000	10000	10000
6	BEARING	BRZ./2	35002	35002	35002	35002
7	COVER	AL/1	2002	2002	2002	2002
8	SPRING	SS/1	19002	19002	19002	19002
9	GEAR MOTOR, 115Vac	1	21019	21019	21019	21019
	GEAR MOTOR, 12Vdc	1	21005	21005	21005	21005
	GEAR MOTOR, 24Vdc	1	21009	21009	21009	21009
10	STEM	SS/1	5069	5069	5069	5069
11	SHAFT	STL/1	4069	4069	4069	4069
12	BEARING	BRZ./1	35026	35026	35026	35026
13	CAP SCREW	SS/4	47024	47024	47024	47024
14	BALL	STL/2	5000.25	5000.25	5000.25	5000.25
15	GEAR	STL/1	GS5424-0804	GS5424-0804	GS5424-0804	GS5424-0804
16	CAP SCREW	SS/4	47036	47036	47036	47036
17	SPRING	SS/1	19013	19013	19013	19013
18	GASKET	BUNA-N/1	3002	3002	3002	3002
19	BASE	AL/1	7008	7002	7002	7002MS
20	CAP SCREW	SS/4, MH 5	47022	47004	47004	47004
21	GEARBOX	AL/1	6008	6002	6002	6002
22	PINION	STL/1	PS161648A	PS161648A	PS161648A	PS241648A
23	BEARING	BRZ./2, MH 3	35000	35000	35000	35000
24	INSERT	AL/1	70000	70000	70000	70000
25	PINION	STL/1	MHPS121265	-	-	-
26	GEAR	STL/1	GS321665	-	-	-
27	WOODRUFF KEY	STL/1	44006	-	-	-
28	KEY	STL/1	12017	44000	44000	44000
29	O-RING	BUNA-N/1	10006	10006	10006	10006
30	BEARING	BRZ./1	35010	35010	35010	35010
31	SNAP RING	STL/1	-	11002	11002	11002
32	GEAR	STL/1	GS381297	GS561666	GS561666	GS481666
33	BEARING	BRZ./1	35026	35000	35000	35000
34	CLOSE LIMIT SWITCH	1	24000-C	24000-C	24000-C	24000-C
35	INSULATOR	FISH PAPER/2	24000FP	24000FP	24000FP	24000FP
36	OPEN LIMIT SWITCH	1	24000-O	24000-O	24000-O	24000-O
37	ROUND HD. SCREW	SS/2	47000	47000	47000	47000
38.O	CAM, OPEN; TOP	ZYTLE/1	38004ZG	38004ZG	38004ZG	38004ZG
38.C	CAM, CLOSE; BOTTOM	ZYTLE/1	38004ZY	38004ZY	38004ZY	38004ZY
39	SET SCREW	SS/3	47015	47015	47015	47015
40	TERMINAL STRIP	PHONLIC/1	29010N	29010N	29010N	29010N
41	ROUND HD. SCREW	SS/2	47001B	47001B	47001B	47001B
42	SHAFT	SS/1	4002MH7	4008B	4008B	4008B
43	O-RING	BUNA-N/1	10020	10020	10020	10020
44	POSITION INDICATOR	PLASTIC	90401	90401	90401	90401
45	INDICATOR COVER	PLASTIC	9040C	9040C	9040C	9040C
46	INDICATOR SCREWS	SS/4	47032	47032	47032	47032
47	LABEL	1	80045	80045	80045	80045
48	PRINTED CIRCUIT BOARD	FR4/1	22037	22037	22037	22037
49	BRACKET	STL/1	39033	39033	39033	39033
50	CAP SCREW	SS/2	47012A	47012A	47012A	47012A
51	INSULATOR	FISH PAPER/1	22037FP	22037FP	22037FP	22037FP
52	CAPACITOR	1	30003	30010	30003	30003
53	TERMINAL STRIP	2	29006	29006	29006	29006
54	RIVET	STL/3	47500	47500	47500	47500

PL080710, SHT. 2 OF 2