

# MS-2PF SERIES STAINLESS STEEL FLANGED BALL VALVES

## BILL OF MATERIALS

PART #	NAME	MATERIAL	QTY
1	BODY	ASTM A351 GR CF8M	1
2	ENDS	ASTM A351 GR CF8M	2
3	BALL	ASTM A351 GR CF8M	1
4	SEAT	RTFE	2
5	BODY SEAL	RTFE	2
6	STEM SEAL	RTFE	1
7	STEM PACKING	RTFE	1
8	THRUST WASHER	50% PTFE + 50% SS POWDER	1
9	O-RING	VITON	1
10	BELLEVILLE WASHER	304SS	2
11	LOCK WASHER	304SS	1
12	STEM NUT	304SS	1
13	HANDLE*	304SS	1

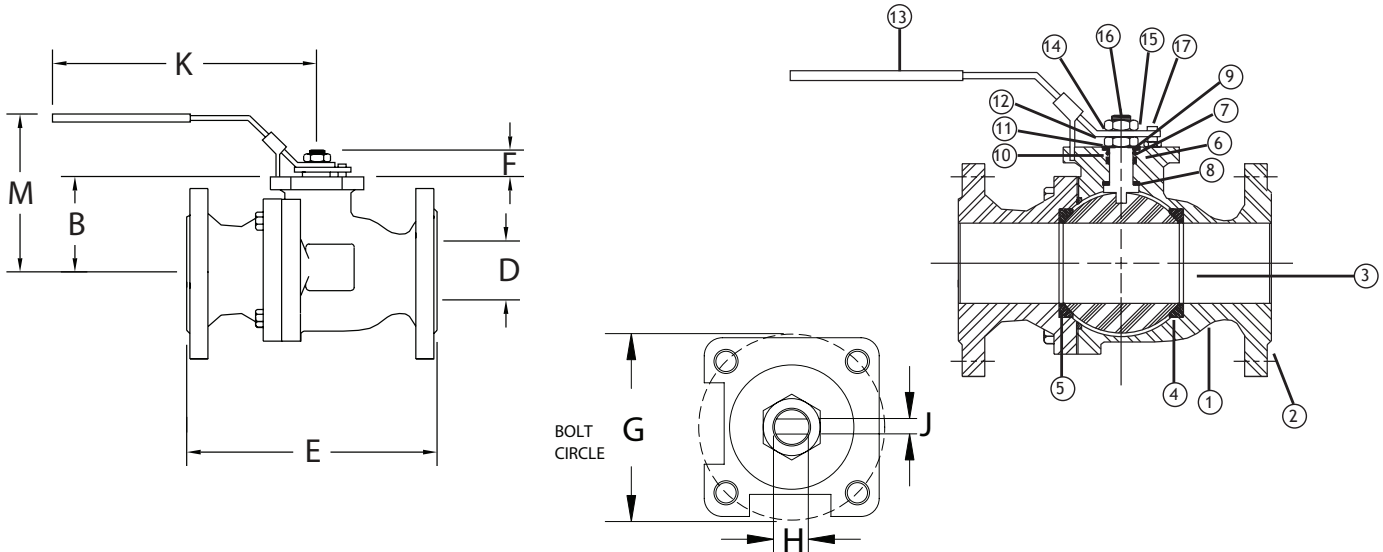
\* 1-1/2" AND LARGER MANUAL VALVES USE A BARSTOCK HANDLE

## VALVE FEATURES

- Full port stainless steel ball valve
- 1/2" through 4"
- Class 150# flanged ends
- Designed to ANSI B16.34 standards
- RTFE® seats
- Optional fire safe design (w/graphoil seals)
- ISO mounting pad
- Vacuum to 29 inHg

**PRESSURE RATING**  
ANSI Class 150  
**TEMPERATURE RATING**  
+400° F Maximum  
-20° F Minimum

NOTE: MAXIMUM TEMPERATURE RATING FOR STANDARD ACTUATORS IS 150° F (ELECTRIC) AND 180° (PNEUMATIC). SPECIAL SEALS OR HEAT EXTENSIONS ARE AVAILABLE FOR HIGH TEMPERATURE SERVICE.



## DIMENSIONAL DATA

SIZE	ISO 5211	B	D	E	F	G	H	J	K	M	CV	WT.
1/2"	F04	1.52	0.59	4.25	0.69	1.42	0.47	0.25	5.91	3.54	30	4
3/4"	F04	1.63	0.79	4.63	0.72	1.42	0.47	0.25	5.91	3.88	50	6
1"	F05	2.05	0.98	5.00	0.85	1.97	0.51	0.31	7.09	4.25	100	8
1-1/4"	F05	2.35	1.26	5.50	0.81	1.97	0.51	0.31	7.09	4.62	180	12
1-1/2"	F07	2.62	1.57	6.50	1.14	2.76	0.53	0.37	8.27	5.00	250	16
2"	F07	2.95	1.97	7.00	1.16	2.76	0.53	0.37	8.27	6.00	480	21
2-1/2"	F07	3.52	2.56	7.50	1.52	2.76	1.14	0.67	10.24	7.00	750	38
3"	F10	4.23	3.15	8.00	1.85	4.02	1.14	0.67	10.24	7.50	1300	46
4"	F10	4.84	3.94	9.00	1.85	4.02	1.14	0.67	12.20	9.00	2400	73

THE MANUAL VERSION OF THIS MODEL STARTS WITH AN "M"

ALL VALVES ARE 100% ELECTRONICALLY TESTED AT 80 PSI IN BOTH THE OPEN AND CLOSED POSITIONS