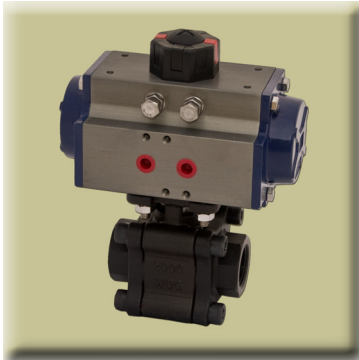


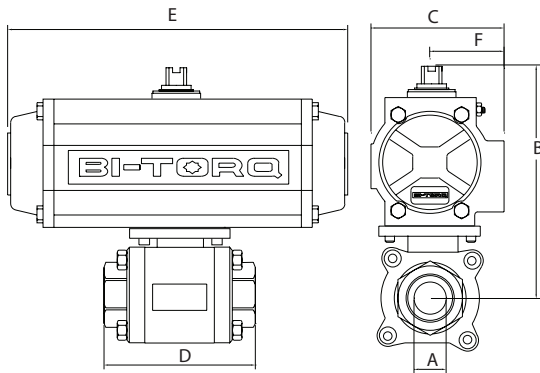
AUTOMATED 3-PC API 607 FIRE SAFE BALL VALVE



- Full Port WCB or SS Ball Valves
1/2" through 2" NPT
- 2000 PSI rated
- ISO Direct Mount for Low-Profile,
Cost-Efficient Operations
- Electric and Pneumatic Actuators
- NPT, socket weld or butt weld end
- High-performance seat design
- API607 fire safe certified



PNEUMATIC ACTUATORS



ALL STANDARD PNEUMATIC ACTUATORS SIZED FOR 80 PSI SUPPLY; PLEASE CONSULT OUR SALES STAFF FOR OTHER COMBINATIONS

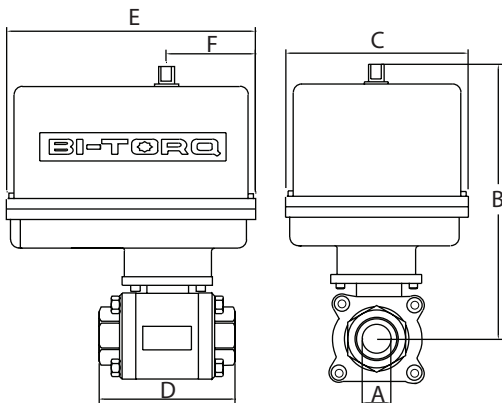
DOUBLE ACTING

	1/4"	3/8"	1/2"	3/4"	1"	1-1/4"	1-1/2"	2"
A	1/4"	3/8"	1/2"	3/4"	1"	1-1/4"	1-1/2"	2"
B	7.00**	7.00*	7.00*	5.57	6.32	6.80	6.95	8.27
C	2.79	2.79	2.79	2.79	3.17	3.17	3.17	3.72
D	2.56	2.56	2.95	3.54	3.94	4.33	4.92	5.91
E	5.49	5.49	5.49	5.49	6.38	6.38	6.38	8.15
F	1.61	1.61	1.61	1.61	1.77	1.77	1.77	2.07
ACT.	52DA	52DA	52DA	52DA	63DA	63DA	63DA	75DA
WT.	4.67	4.67	4.67	5.80	8.11	10.62	13.39	21.61

SPRING RETURN

	1/4"	3/8"	1/2"	3/4"	1"	1-1/4"	1-1/2"	2"
A	1/4"	3/8"	1/2"	3/4"	1"	1-1/4"	1-1/2"	2"
B	7.44**	7.44**	7.44**	6.01	6.97	7.90	8.56	10.41
C	3.17	3.17	3.17	3.17	3.72	4.17	4.85	5.39
D	2.56	2.56	2.95	3.54	3.94	4.33	4.92	5.91
E	6.38	6.38	6.38	6.38	8.15	9.35	10.69	12.91
F	1.77	1.77	1.77	1.77	2.07	2.30	2.68	2.87
ACT.	63SR	63SR	63SR	63SR	75SR	85SR	100SR	115SR
WT.	6.39	6.39	6.39	7.52	11.79	16.73	24.53	40.02

ELECTRIC ACTUATORS



	1/4"	3/8"	1/2"	3/4"	1"	1-1/4"	1-1/2"	2"
A	1/4"	3/8"	1/2"	3/4"	1"	1-1/4"	1-1/2"	2"
B	8.35**	8.35**	8.35**	7.922	8.24	8.71	8.87	11.66*
C	4.00	4.00	4.00	4.25	4.25	4.25	4.25	7.00
D	2.56	2.56	2.95	3.54	3.94	4.33	4.92	5.91
E	5.63	5.63	5.63	6.88	6.88	6.88	6.88	7.00
F	2.31	2.31	2.31	2.43	2.43	2.43	2.43	2.38
ACT.	100E	100E	100E	200E	200E	300E	300E	675E
WT.	7.42	7.42	7.42	10.55	11.85	14.36	17.13	29.10

*INCLUDES DECLUTCHABLE MANUAL OVERRIDE

**REQUIRES MOUNTING KIT (INCLUDED IN DIMENSIONS)

ALL ELECTRIC ACTUATOR DIMENSIONS ARE FOR NEMA 4 ENCLOSURES. FOR NEMA 7 ENCLOSURE DIMENSIONS, PLEASE CONSULT OUR SALES STAFF.



AUTOMATED 3-PC API 607 FIRE SAFE BALL VALVE

BILL OF MATERIALS

PART #	NAME	MATERIAL	QTY
1	BODY	WCB or CF8M	1
2	END CAP	WCB OR CF8M	2
3	BALL	CF8M	1
4	SEAT	PTFE (STD), RTFE, DELRIN, PEEK, TFM	2
5	BODY SEAL	GRAPHITE	2
6	THRUST WASHER	GRAPHITE (STD), PTFE	1
7	STEM PACKING	GRAPHITE	1
8	GLAND	304SS	1
9	BELLEVILLE SPRING WASHER	301SS	2
10	STEM	316SS	1
11	PACKING NUT	304SS	1
12	O-RING	VITON	1
13	BODY BOLT	304SS	4 (8 ON 2")

VALVE FEATURES

- Full port SS or WCB ball valve
1/4" through 2"
- NPT, socket or butt weld ends
- RTFE[®], Delrin, PEEK and TFM seat options with graphoil seals
- Enclosed body bolts for extreme service
- ISO mounting pad

PRESSURE RATING
2000 WOG

STD. TEMP. RATING
+450° F Maximum CWP
-40° F Minimum
+366° F Steam Maximum

ACTUATOR FEATURES

PNEUMATIC ACTUATORS

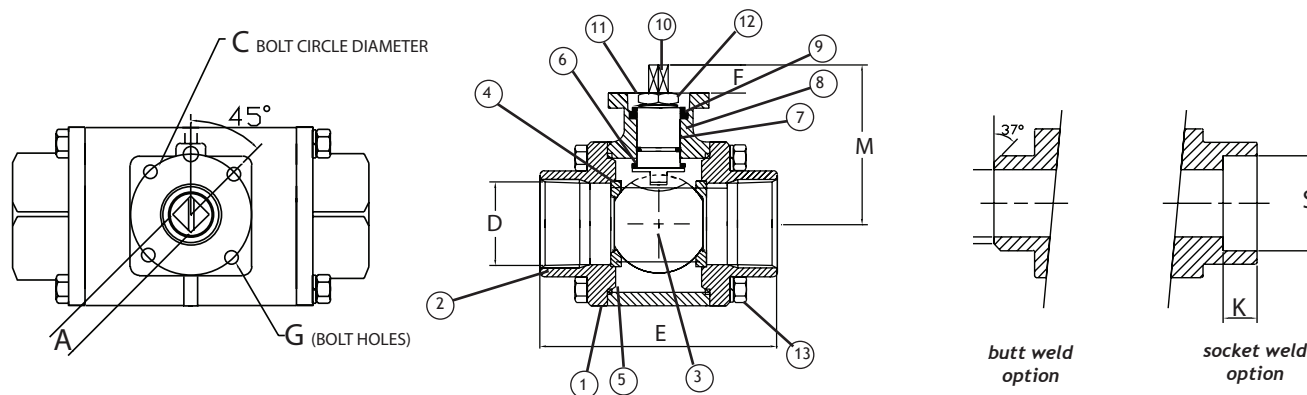
- Rack and pinion design
- Spring return or double acting
- open and closed adjustment stops
- true NAMUR accessory mounting
- visual indicator
- ISO mounting pad

ELECTRIC ACTUATORS

- 120VAC, 220VAC, 24VAC, 12VDC, 24VDC
- NEMA 4 and NEMA 7 enclosures
- Manual override
- visual indicator
- variety of optins

NOTE: Maximum temperature rating for standard actuators is 150° F (electric) and 180° (pneumatic). Special seals or heat extensions are available for high temperature service.

For more information on BI-TORQ[®] actuators, please refer to brochures PN-2007 and EL-2008, or www.bitorq.com



DIMENSIONAL DATA

SIZE	ISO 5211	A	C	D	E	F	G	K	M	S	CV	WOG	WEIGHT (LBS.)	TORQUE (IN LBS.)*
1/4"	F04	0.354	1.65	0.433	2.559	0.354	0.28	0.40	1.476	0.86	8	2000	2.42	55
3/8"	F04	0.354	1.65	0.433	2.559	0.354	0.28	0.40	1.476	0.86	8	2000	2.42	55
1/2"	F04	0.354	1.65	0.551	2.953	0.354	0.28	0.50	1.476	0.86	40	2000	2.42	65
3/4"	F04-F05	0.433	1.65/1.97	0.807	3.149	0.551	0.28/0.35	0.62	2.047	1.06	70	2000	3.55	85
1"	F04-F05	0.433	1.65/1.97	0.984	3.543	0.551	0.28/0.35	0.69	2.362	1.33	110	2000	4.85	135
1-1/4"	F07	0.551	2.76	1.240	4.331	0.790	0.45	0.75	2.835	1.67	230	2000	7.36	195
1-1/2"	F07	0.551	2.76	1.457	4.724	0.790	0.45	0.88	2.992	1.92	340	2000	10.13	240
2"	F07	0.551	2.76	1.968	5.512	0.790	0.45	0.88	3.661	2.41	595	2000	16.10	405

* WITH STANDARD RTFE SEATS, 100 PSI CLEAN SERVICE; CONSULT FACTORY FOR OTHER PRESSURES AND MEDIA

ALL VALVES ARE 100% ELECTRONICALLY TESTED AT 80 PSI IN BOTH THE OPEN AND CLOSED POSITIONS