



**IC-3W SERIES 3-WAY PVC AND PP VALVES**

**BILL OF MATERIALS**

PART #	NAME	MATERIAL	OPTIONAL MATERIAL	QTY
1	HANDLE	PVC	---	1
2	STEM O-RING	EPDM	BUNA-N VITON	1
3	STEM	PVC	POLYPROPYLENE	1
4	BODY	PVC	POLYPROPYLENE	1
5	BALL	PVC	POLYPROPYLENE	1
6	BODY O-RING	EPDM	BUNA-N VITON	3
7	BALL SEAT SUP- PORT	TFE	---	3
8	BALL SEAT	TFE	---	3
9	SOCKET O-RING	EPDM	BUNA-N VITON	3
10	UNION NUT	PVC	POLYPROPYLENE	3
11	END CONNECTOR	PVC	POLYPROPYLENE	3
12	END CONNECTOR O-RING	EPDM	BUNA-N VITON	3

**VALVE FEATURES**

- 3-Way PVC and Polypropylene valves 1/2" through 2"
- TFE<sup>®</sup> seats and EPDM, BUNA-N or Viton<sup>®</sup> body o-rings
- True union style
- Threaded, socket or flanged ends
- 3-seat design ideal for automation

**PRESSURE RATING**

235 PSI at 73° F to 2"

**TEMPERATURE RATING**

varies with o-ring material

**ACTUATOR FEATURES**

**PNEUMATIC ACTUATORS**

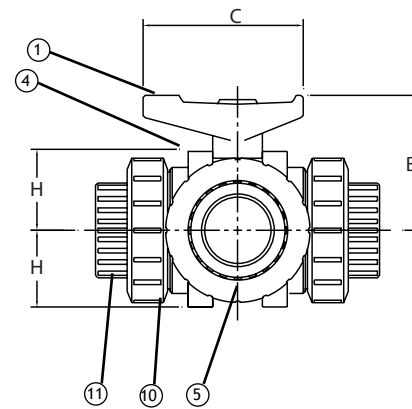
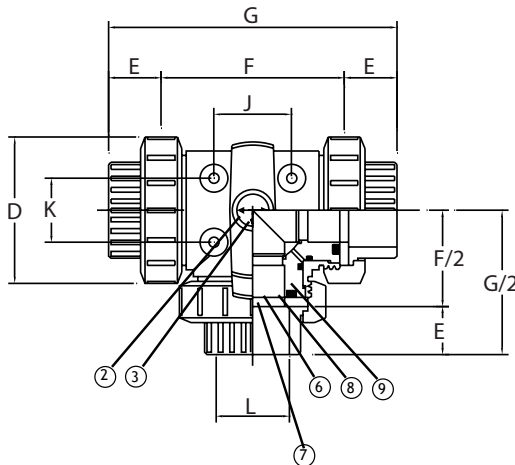
- Rack and pinion design
- Spring return or double acting
- open and closed adjustment stops
- true NAMUR accessory mounting
- visual indicator

**ELECTRIC ACTUATORS**

- 120VAC, 220VAC, 24VAC, 12VDC, 24VDC
- NEMA 4 and NEMA 7
- Manual override
- visual indicator

For more information on BI-TORQ<sup>®</sup> actuators, please refer to brochures PN-2007 and EL-2008, or [www.bitorq.com](http://www.bitorq.com)

**SEE PAGE 31 FOR AVAILABLE FLOW PATTERNS**



**DIMENSIONAL DATA**

SIZE	B	C	D	E	F	H	J	K	PSI	WEIGHT (LBS.)
1/2"	2.00	2.56	2.09	0.63	2.99	4.25	0.94	0.94	150	0.42
3/4"	2.36	2.99	2.44	0.75	3.54	5.04	0.98	1.22	150	0.71
1"	2.64	3.35	2.80	0.87	3.94	5.67	1.06	1.57	150	0.98
1-1/4"	2.95	3.94	3.31	1.02	4.76	6.81	1.26	1.61	150	1.68
1-1/2"	3.50	4.41	3.86	1.22	5.31	7.76	1.28	2.09	150	2.58
2"	4.13	5.39	4.61	1.50	6.57	8.12	1.38	2.28	150	4.08

ALL VALVES ARE 100% ELECTRONICALLY TESTED AT 80 psi IN BOTH THE OPEN AND CLOSED POSITIONS