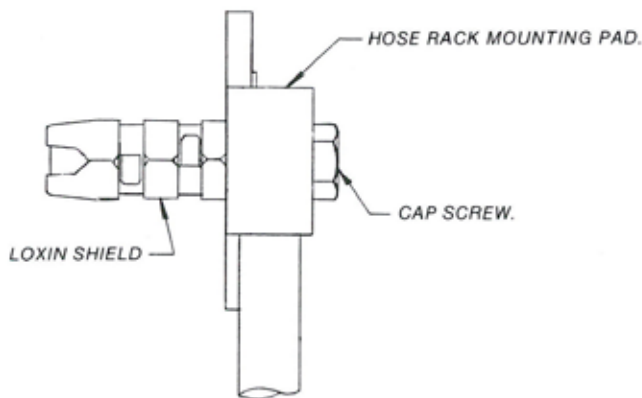


HR-100 Wall-Mounted Hose Rack

A good looking and practical hose rack that helps to keep hoses neatly coiled and in place. It is designed for those places where hose service is required and yet does not call for a Strahman Mixing Unit. They can be easily installed on any conventional masonry wall (brick, tile, cement or cinder block) with expanding metal anchors, supplied with the unit. Model **HR-100** is designed to hold **maximum 50 feet of hose** and come with complete mounting instructions. Made entirely of Stainless Steel — except Loxin Shields. Supplied with conventional type fittings.

Optional: HR-100L designed to hold up to a maximum of 100 feet of hose.



Using $\frac{5}{8}$ " Masonry Drill, drill two holes on a horizontal line made deep enough to admit the Loxin Shields. Insert Shields with nut end to back of hole and tighten screw until rack is securely fastened to wall.



Shown: HR-100 Wall-Mounted Hose Rack; shown with premium hose assembly and S-70 Series nozzle.



USA Headquarters

2801 Baglyos Circle ♦ Bethlehem, PA 18020

Phone: (484) 893-5080 ♦ Fax: (484) 893-5099 ♦ Toll Free: (877) STRAHMAN

www.strahmanvalves.com

France

Savoie Hexapole, F-73420 Mery, France

Tel: 33 (0) 4 79 35 78 00

Fax: 33 (0) 4 79 35 78 20

Germany

Kirchstrasse 16, D-77855, Achern, Germany

Tel: 49 (0) 7841-6846530

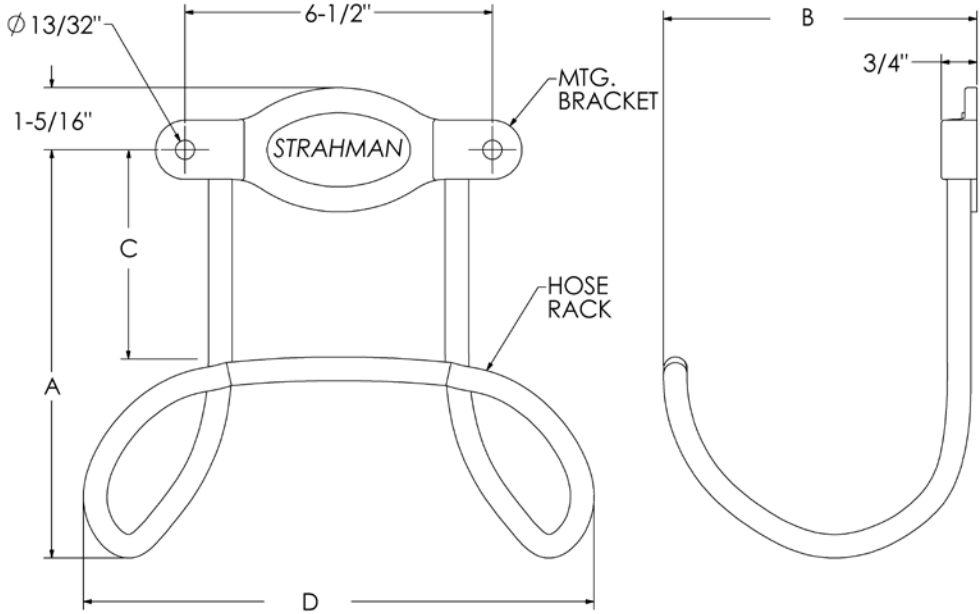
Fax: 49 (0) 7841-6846531



ISO 9001
QMI-SAI Global

Last Updated: July, 2012

HR-100 Wall-Mounted Hose Rack



HR-100					
	CAPACITY	A	B	C	D
HR-100	50 FEET	9 1/8"	6 1/2"	5"	10 1/2"
HR-100L	100 FEET	13 1/2"	9 3/8"	7 1/2"	12"